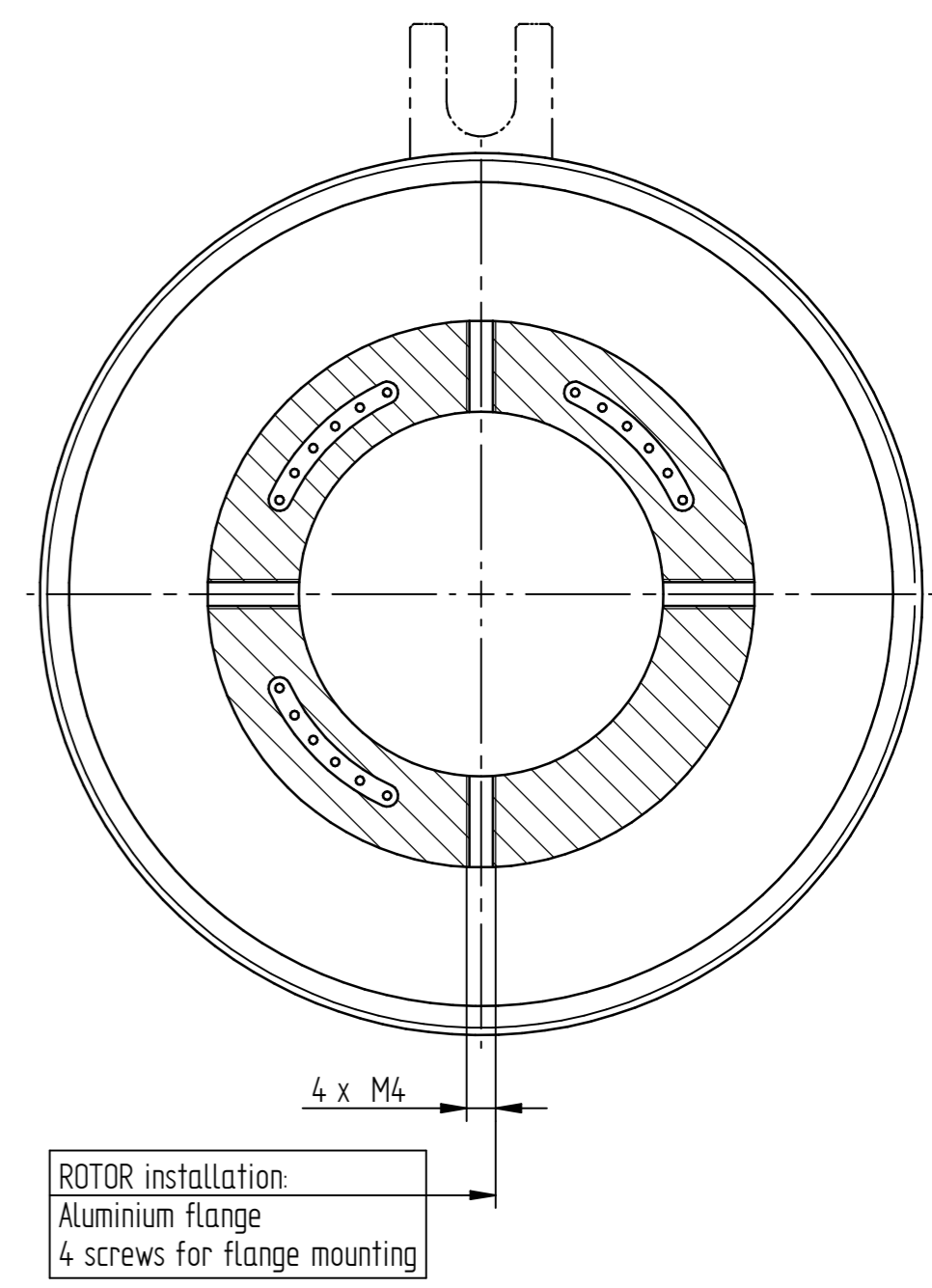
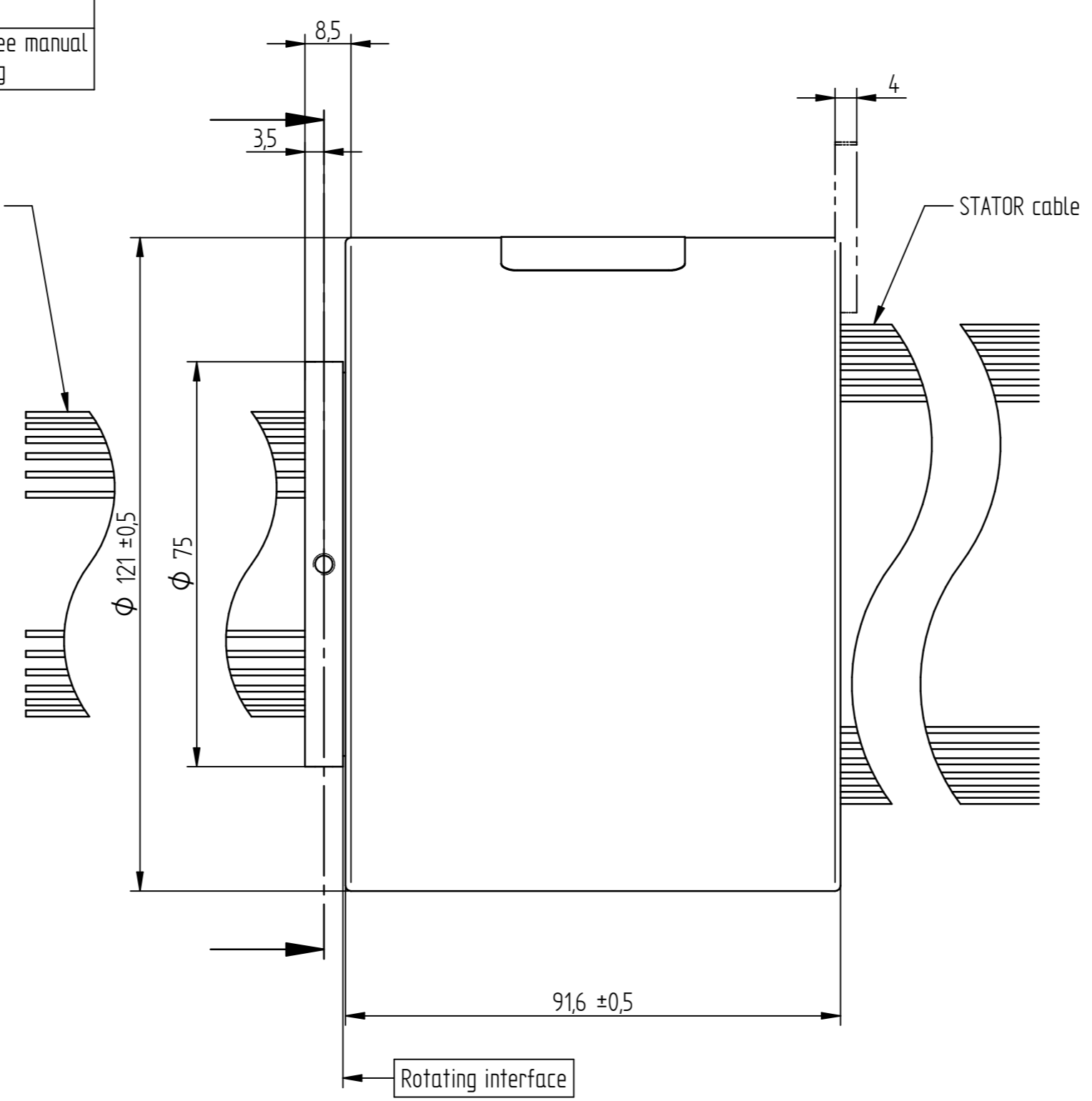


**STATOR installation:**  
 Anti-rotation tab to be mounted optionally, see manual  
 Anti-rotation tab is enclosed in the packaging



Wiring diagram see sheet 2

Die Montageanleitung 7BC000000 wird elektronisch bereitgestellt.  
 The assembly instruction 7BC000000 is provided in electronic format.

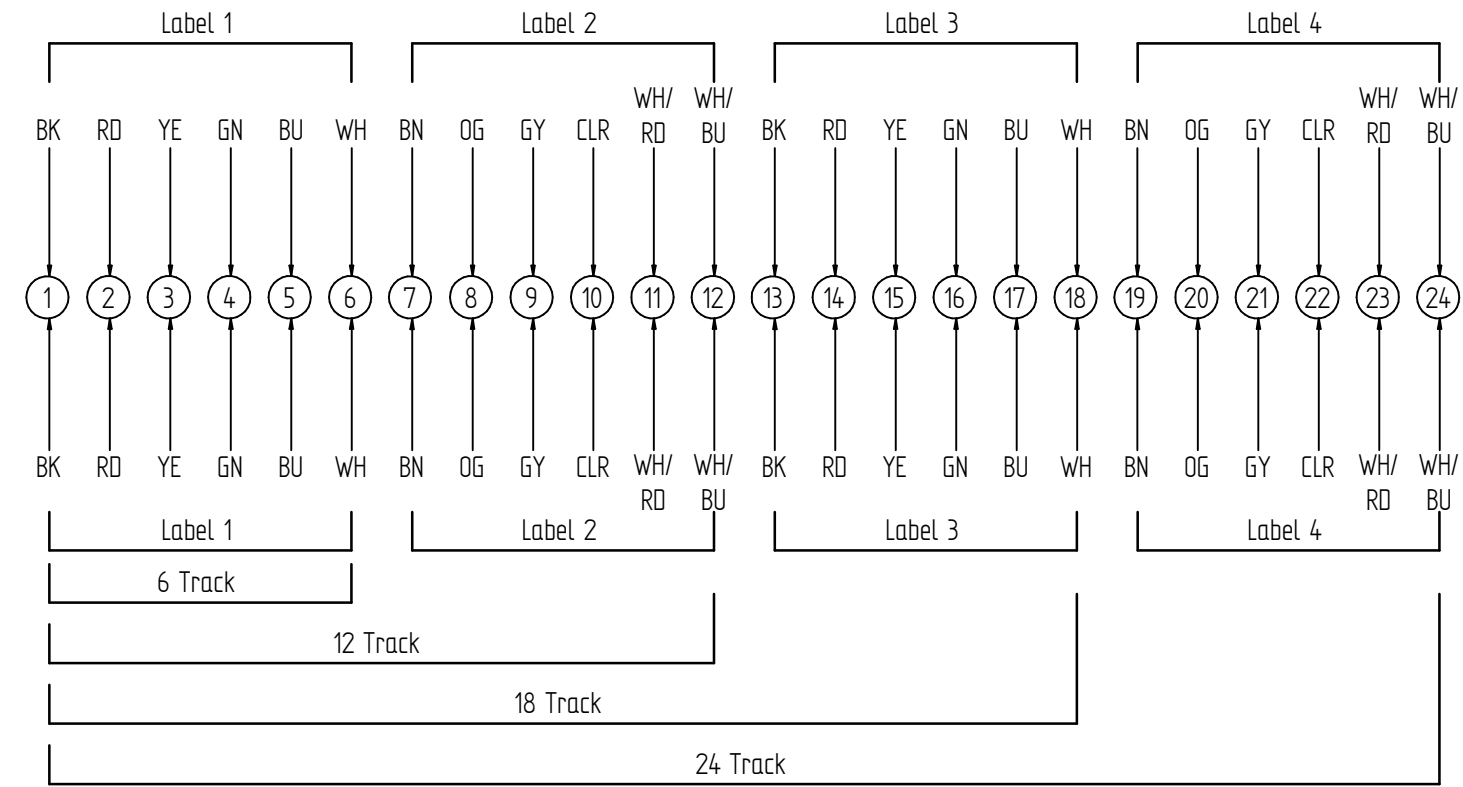
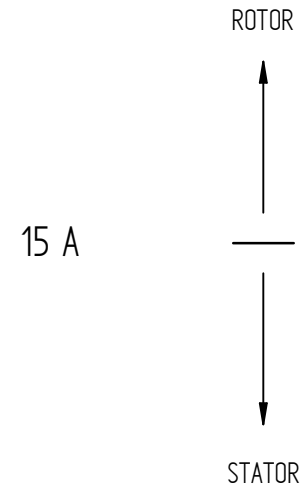
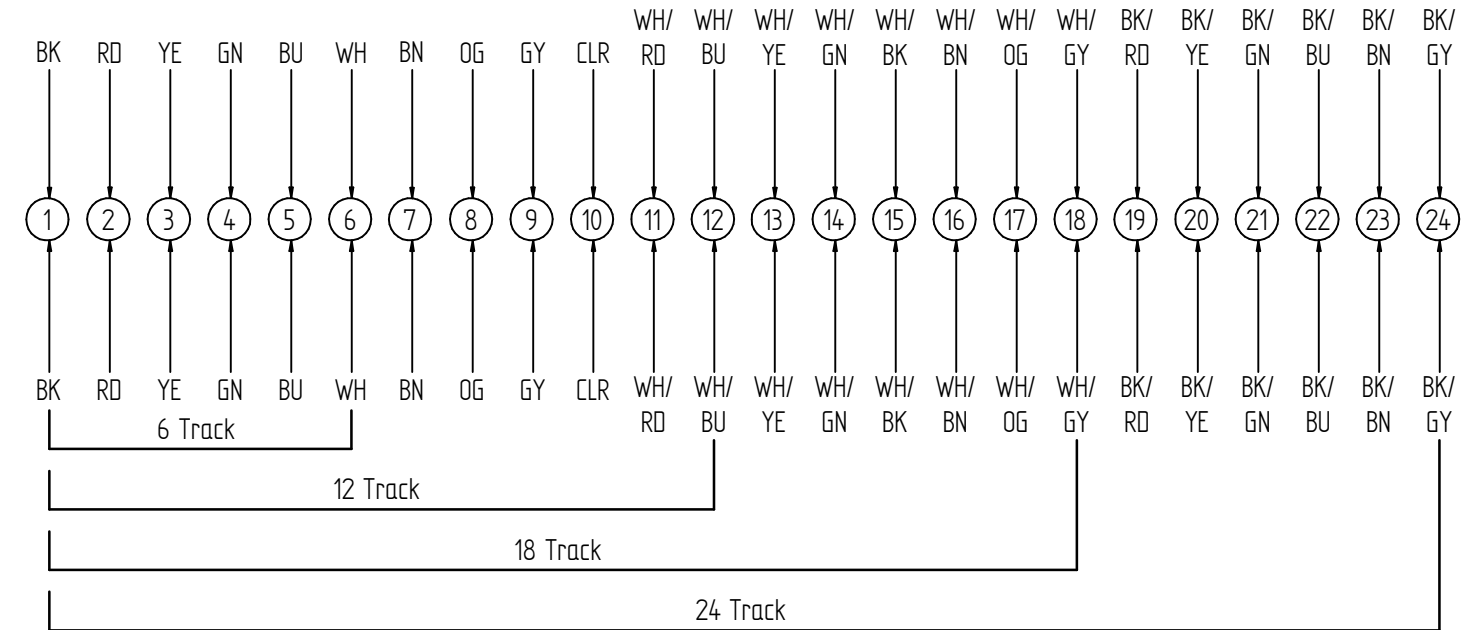
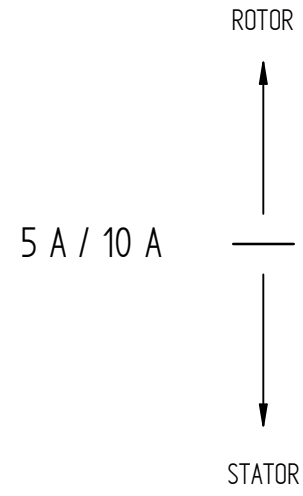
ELECTRONIC & ELECTRIC		MECHANICAL	
Rating Voltage	250 V AC / DC	Working Speed	300 rpm max.
		Inner Diameter	Ø 50,0
		Contact Material	Precious Metals
Current	5 A / Signal	Lead Wire Length	STATOR: 250 mm ROTOR: 250 mm
Track	18	/	/
Insulation Resistance	500 MΩ @ 500 V DC	/	/
ENVIRONMENT		REMARKS	
Working Temperature	-20 °C to +60 °C	Application	see Manual
Working Humidity	≤ 60 % RH	Other	/
Protection Class	IP50	Note:	/

10	1	70C000023	Maverick Schleifring 18-Weg 5A		
Pos.	Anz.	Mat.Nr.	Kurztext	GroÙe/Abmessung	Werkstoff
1	2	3	4	5	6
DIN ISO 5456-2		TOLERANCES		DIN ISO 13715	
ISO 2768 - mH		+0,3 +0,1		-0,1 -0,3	
STANDARDS		DWG NO		REVISION	
ISO 8015 ISO 14405		7KC000023		A1	
		Beschreibung		FIRST RELEASE	
		Maverick Schleifring 18-Weg 5A		13.01.2022	
		Maverick Slip Ring 18-Track 5A		DESIGNER	
				CREITER	
				APPROVED	
				AGREPPMAYR	
				CHANGE NO	
				200120151	
				DOCUMENT TYPE	
				Kundenzeichnung	
				SHEET	
				1/2	
Draft: 1000955444/D02/000/02				Modell: 1000955444/D00/000/02	
				A2	

All parts and components shown in this document are originally created and developed at Schleifring GmbH Germany and a private or a civil application. Any customization has no impact on origin and export classification.

All drawings are the property of Schleifring GmbH/ Germany and are to be treated as confidential. The reproduction, distribution and utilization as well as the communication of its contents to others without express authorization is prohibited. Offenders will be held liable for the payment of damages. All rights reserved in the event of the grant of a patent, utility model or design.

Cable Table	
Current	Cable
5 A / Signal	AWG17
10 A	
15 A	AWG14



DIN ISO 5456-2 	TOLERANCES ISO 2768 - mH	DIN ISO 13715 	FINISH	SCALE 1:1	REFERENCE 2
	STANDARDS ISO 8015 ISO 14405		DWG NO <b>7KC000023</b>	MATERIAL	WEIGHT 0,001 kg
		Beschreibung <b>Maverick Schleifring 18-Weg 5A</b> DESCRIPTION <b>Maverick Slip Ring 18-Track 5A</b> SIZE/DIM.	REVISION <b>A1</b>	FIRST RELEASE	13.01.2022
			APPROVED AGREPPMAYR	DESIGNER CREITER	18.11.2022
			CHANGE NO 200120151	SHEET 2/2	
			DOCUMENT TYPE Kundenzeichnung		